

ECART



MAUGOUST & CHENAIS

WOLF BRIDGE

Smooth varnished solid oak & fabric.

CM	IN
H. 74	H. 29,25
L. 61	W. 24
P. 49	D. 19,5

MAUGOUST & CHENAIS

Traveling the world to showcase the distinctly French art of living: this is Laurent Maugoust's vision. He shares a refined design philosophy, characterized by a subtle approach in which each interior is crafted like a puzzle. This evolving composition, marked by mastered tensions, is rooted in classical principles inherited from tradition. His designs reveal an intense vision and offer a quality of life that celebrates both comfort and elegance. As an interior architect, decorator, and designer trained at the École Camondo, Laurent has been creating high-end hotel projects in France and internationally for nearly 20 years. Respectful of each site's history, he creates interior environments that balance intimacy with a collective dimension, embodying discretion and elegance.

Cécile Chenais joined the studio as its Artistic Director. A graduate of the École du Louvre, she discovered decorative arts through the perspective of spatial anthropology and artistic gestures. In 2020, they expanded their craft as "space sculptors" by launching a collection of self-published furniture. For Éditions Ecart, they co-created the «Chimères» collection, continuously enriching it with precious materials. This sculptural and functional endeavor, combined with the challenges of publishing, offers the duo an opportunity to celebrate exquisite craftsmanship, vibrant color palettes, and material contrasts.



ECART



MAUGOUST & CHENAIS

WOLF BRIDGE

ECART



MAUGOUST & CHENAIS

WOLF BRIDGE

ECART

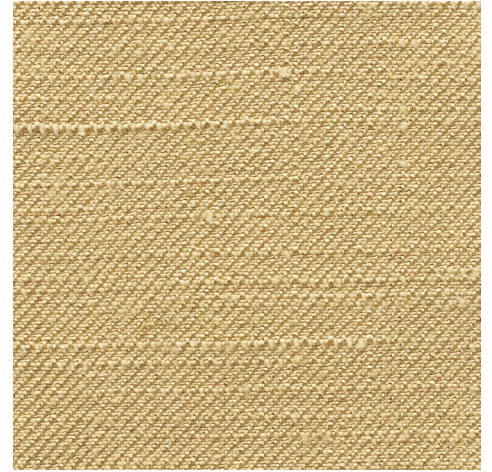
FABRIC



Christian Sand



Margareta Grey



Emilio Sand

WOOD



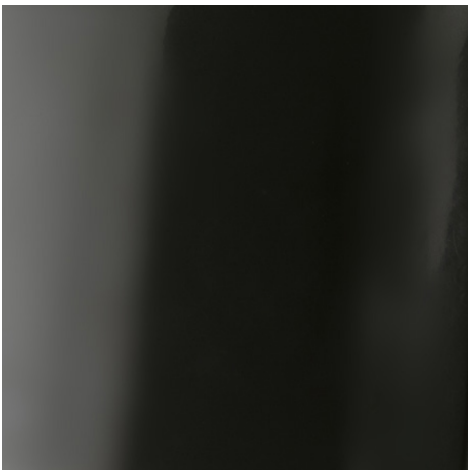
Smooth natural oak with matte varnish



Smooth brown oak with matte varnish

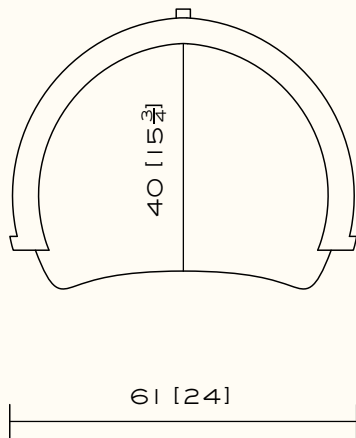
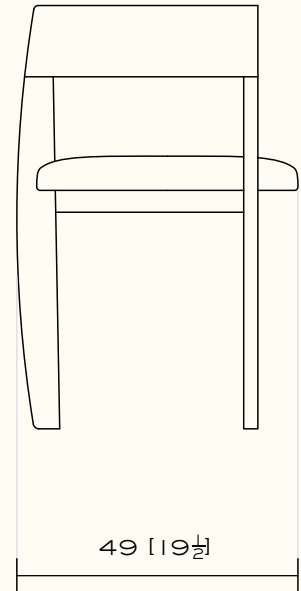
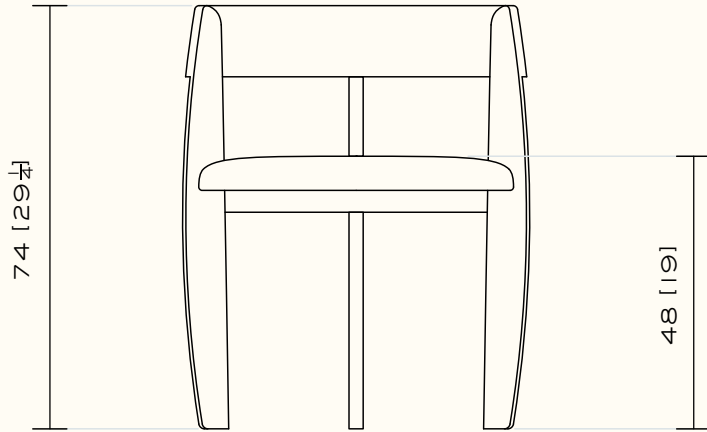


Smooth black oak with matte varnish



Dark green lacquered oak

ECART



MAUGOUST & CHENAIS

WOLF BRIDGE

Upholstery: Fabric (COM: 1 m) or leather.
Wood: Natural, brown or black solid oak.
Finish: Smooth with matte varnish.
Also available in lacquered oak.

ECART